

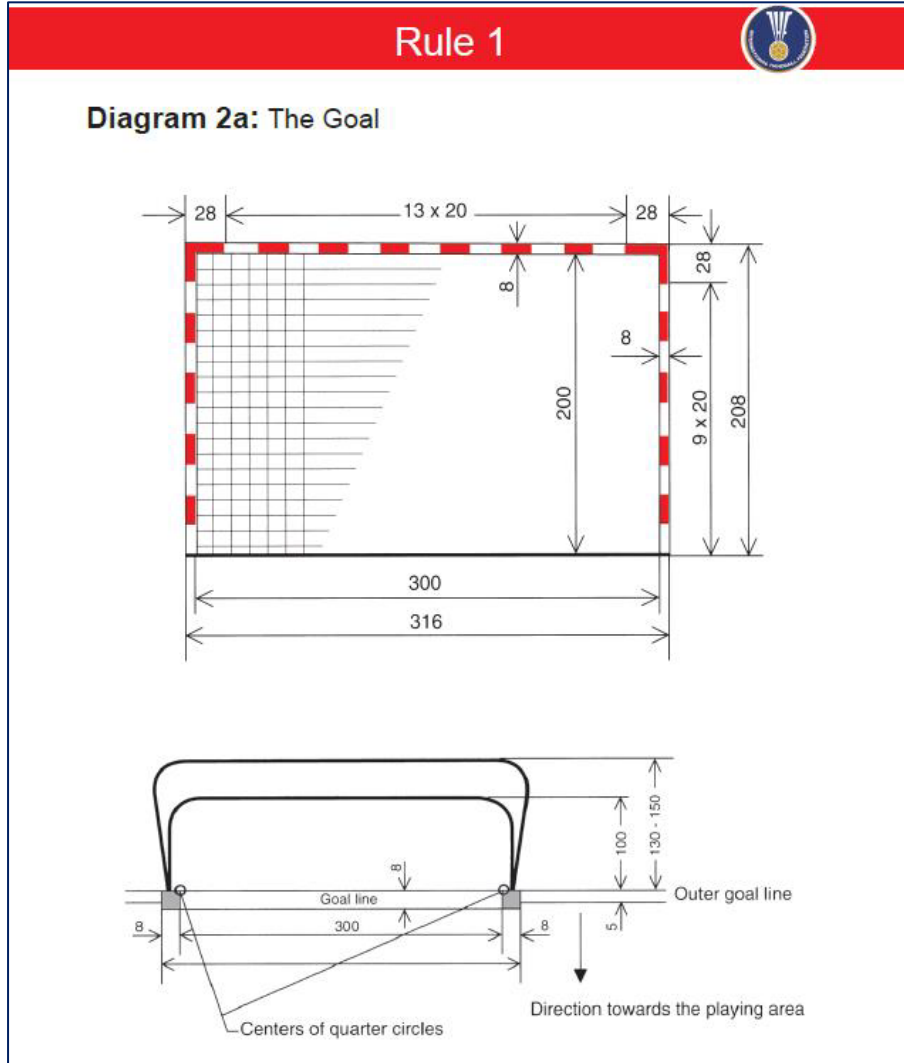


Playing Court	40m x 20m
Base Area	44m x 22m
Min. Hall Capacity	500
Stands	One long side
Scoreboards	One*
Judges' Table	3m x 0,7m
Chairs Judges' Table	Four
Chairs Sub. Area	16
Catch net	Black; 20m x 7
Min. Lighting	800 LUX

\*1 scoreboard accepted if on the longside opposite the judges table, otherwise 2 scoreboards

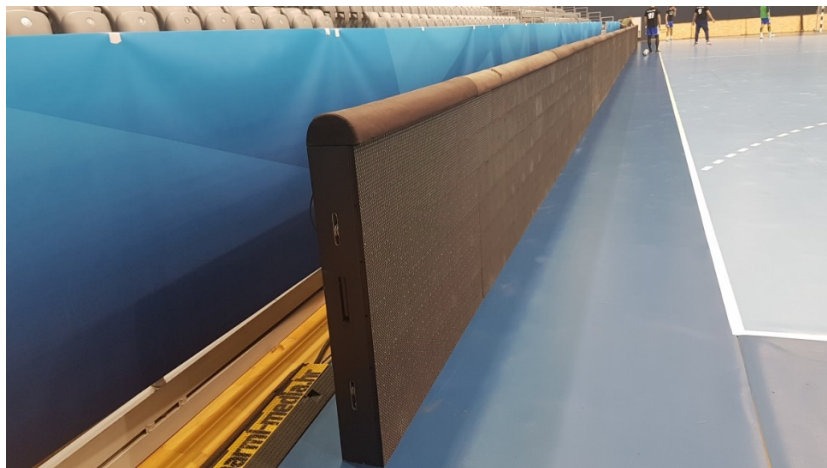
Floor thoroughly cleaned
Handball lines only – no (except finals)
Hall free of other sports equipment
Main camera behind judges' table
Heating / Central air conditioning
Support table (optional) – 4.5m x 1m
Timekeeper's equipment
Mixed zone / Flash zone
Catch net fixed on ad boards
Anti-Doping Room

# THE GOAL: CORRECT SET-UP



## AD BOARDS: SAFETY DISTANCE

CORRECT DISTANCE



INCORRECT DISTANCE



## SUBSTITUTION AREA



- ✓ One row
- ✓ Sixteen chairs
- ✓ Taped together



- × Double row
- × More than sixteen seats
- × Benches



## CATCH NETS

- ✓ Black (not visible on camera)
- ✓ Fixed on ad-boards

- × Any other colour (visible on camera)
- × Not fixed on ad boards, in front of advertising boards



**Additional remark:**

Additional requirements for EHF European Cup Final Matches The playing hall for the EHF European Cup Final Matches is subject for an individual approval by the EHF. Final matches shall be played in playing halls, which have handball lines only.

The following items are being considered in this issue:

- Capacity of the hall
- Floor
- Advertising Board System
- Working places for media and TV production requirements

The EHF will contact all parties involved concerned before making a final decision on the venues for the EHF European Cup Final Matches.